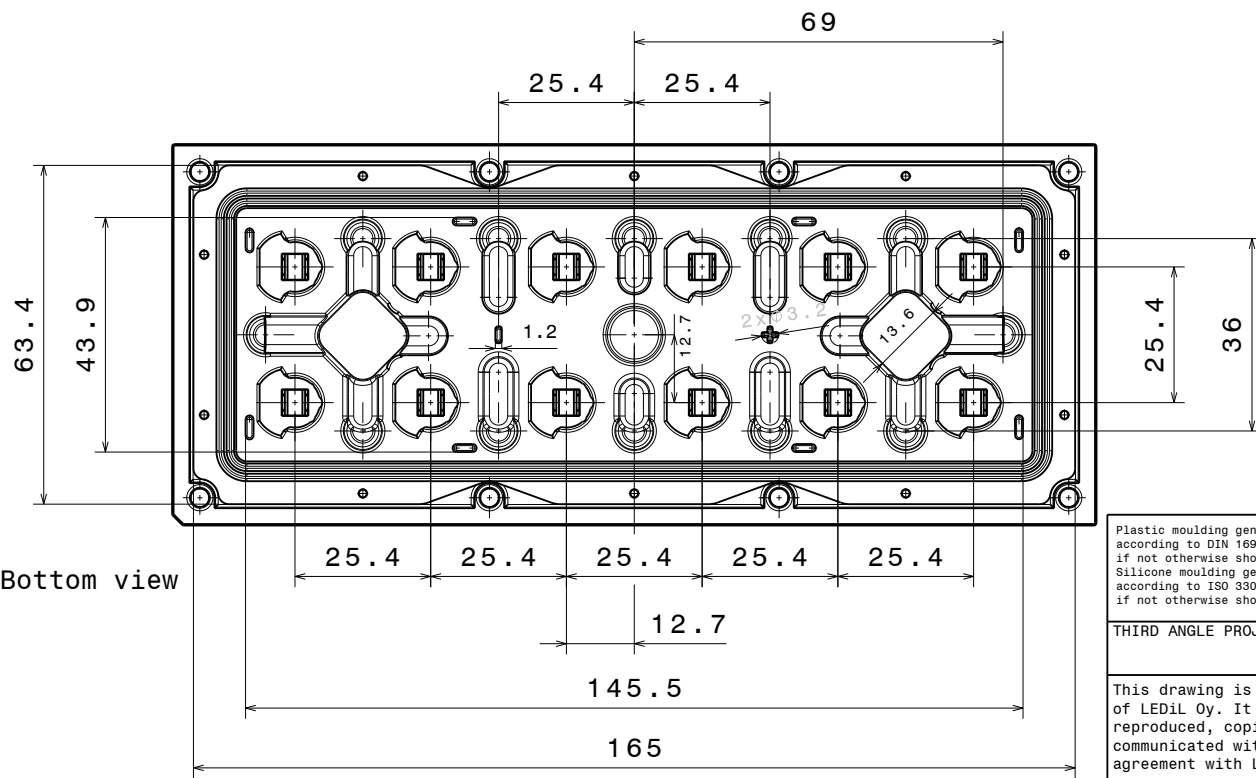
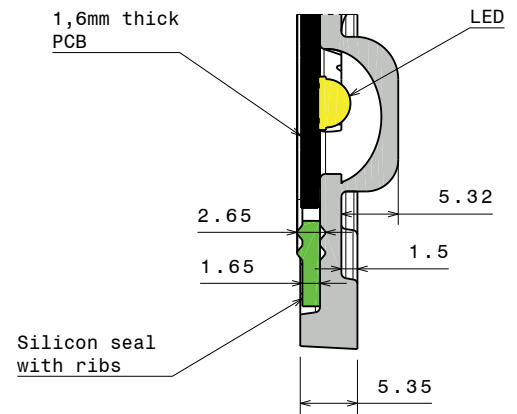
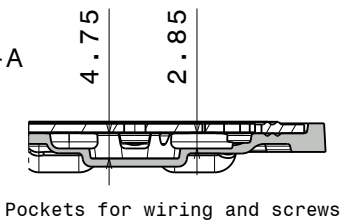


Section view B-B
Scale: 2:1



Section view A-A



INDEX	PART NO	DESCRIPTION	MATERIAL	COLOUR
1	C14018	2X6-SEAL25	Silicone	white
2	C13363	STRADA-IP-2X6-T2	PMMA	clear

Plastic moulding general tolerances according to DIN 16901-130 and applies if not otherwise shown in the drawing.
Silicone moulding general tolerances according to ISO 3302-1 Class M3 and applies if not otherwise shown in the drawing.

LEDIL Ledil Oy
Salorankatu 10
FIN 24240 SALO
Finland

THIRD ANGLE PROJECTION:

DRAWING TITLE
CS14055_STRADA-IP-2X6-T2

This drawing is the property of LEDil Oy. It may not be reproduced, copied or communicated without a written agreement with LEDil Oy.

SIZE	PART NUMBER
A3	CS14055

SCALE	1:1	WEIGHT	58,25 g	SHEET	1/2
-------	-----	--------	---------	-------	-----